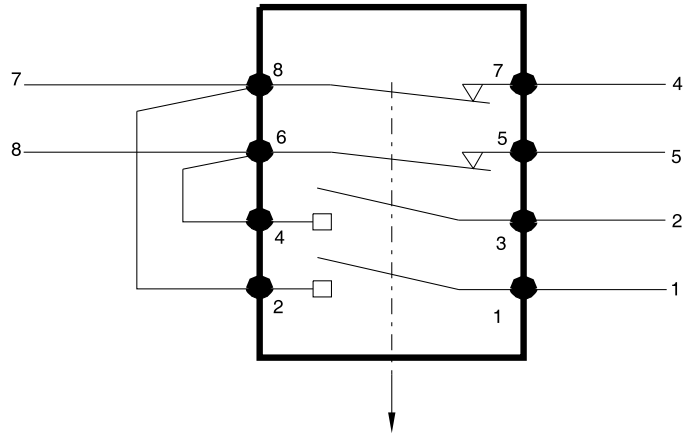
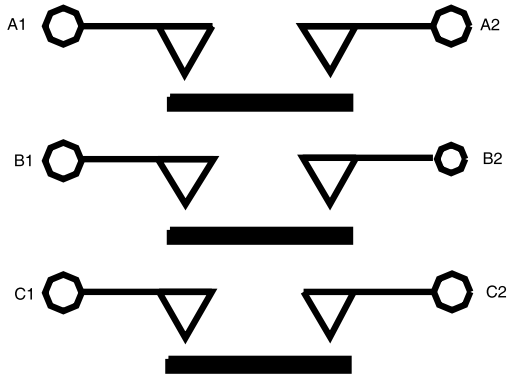


ZODIAC AERO ELECTRIC
COMPONENT MAINTENANCE MANUAL
 107CZ02L05Y06 107CZ02L05Y07 107CZ02L06Y12



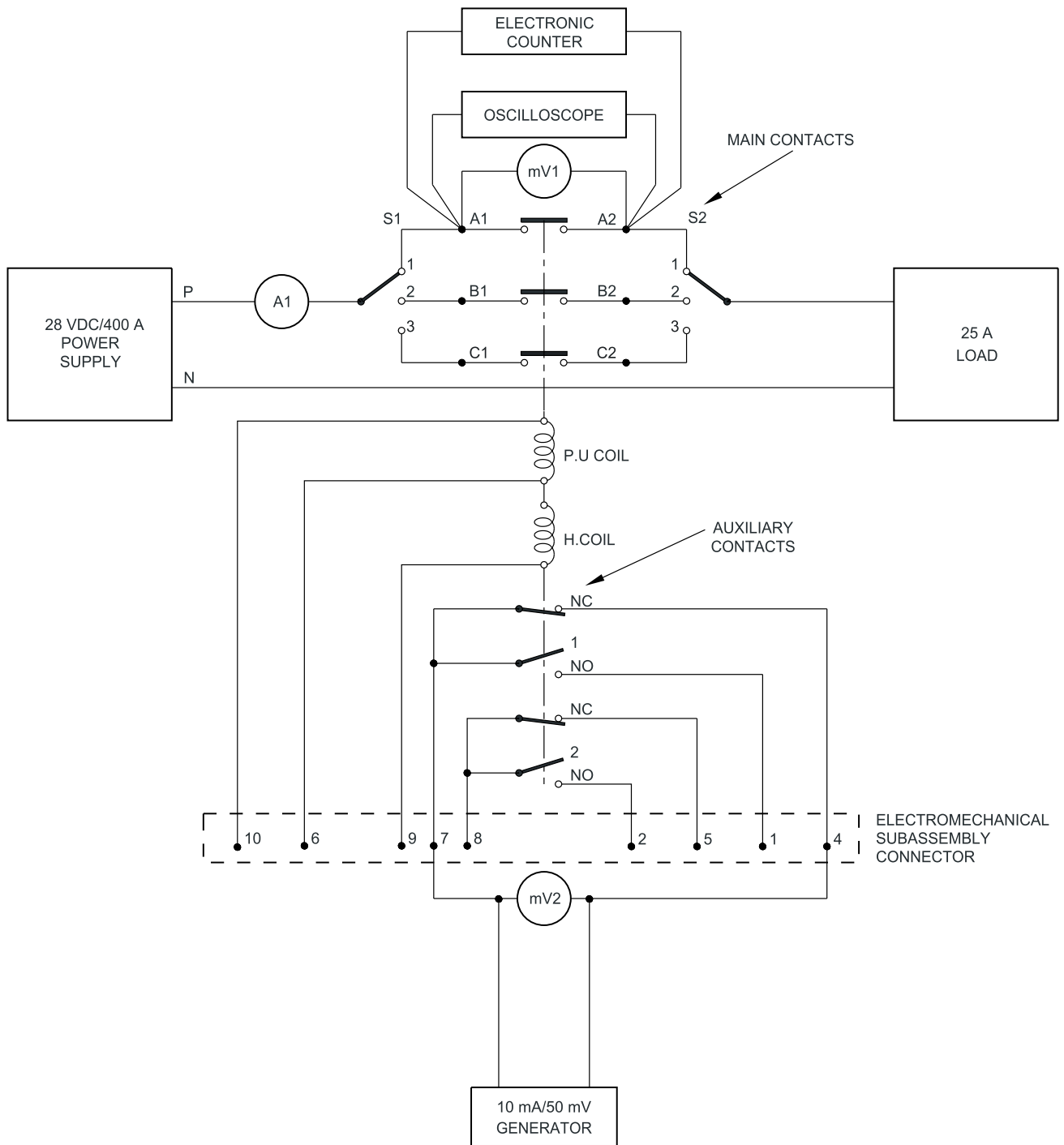
3 DOUBLE-BREAK PHASES (3PST)

2 FORM C AUXILIARY CONTACTS

3 DOUBLE-BREAK PHASES (3PST) and 2 FORM C AUXILIARY CONTACTS

Figure 2/GRAPHIC-24-71-81-991-002-A01

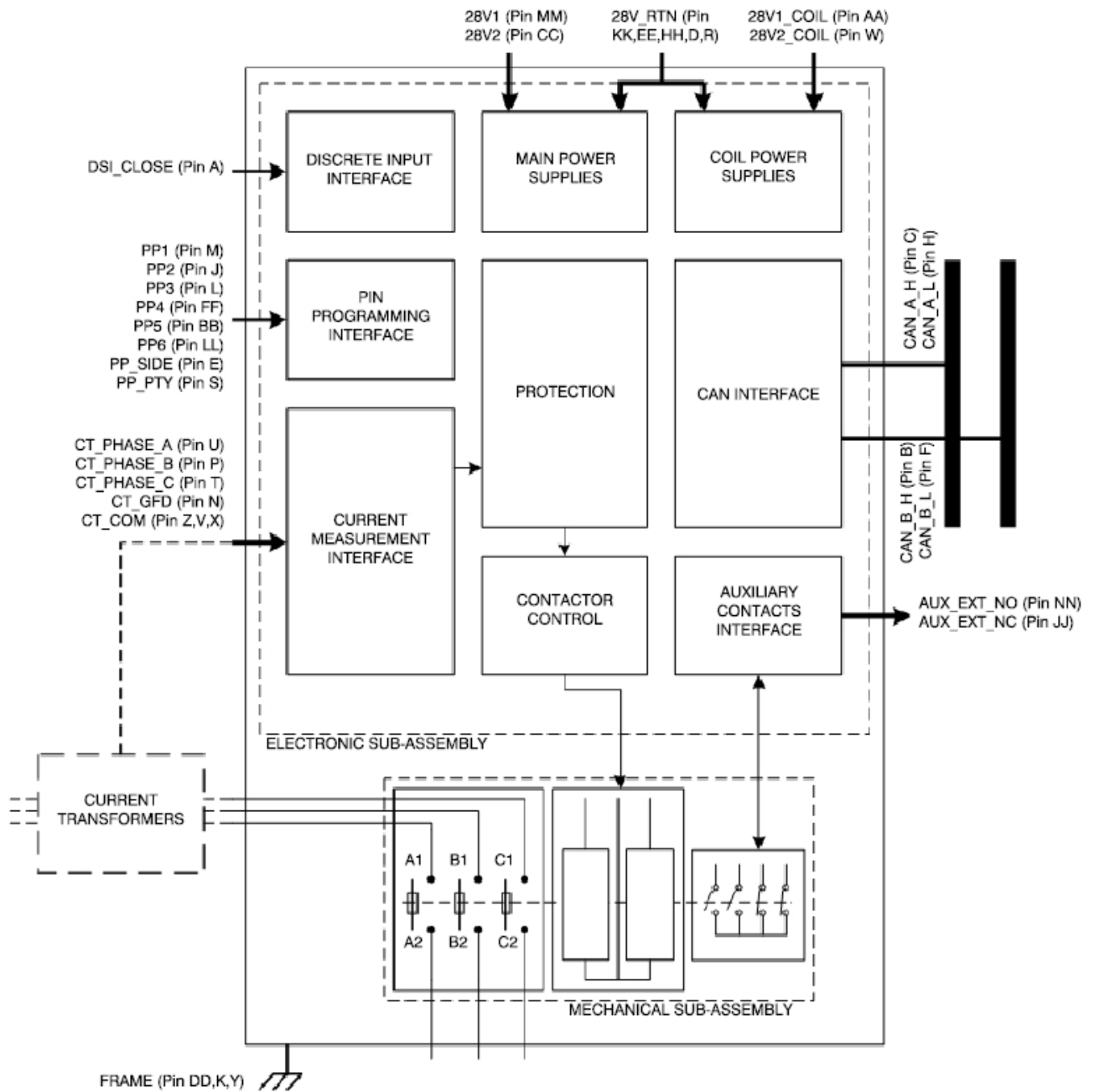
ZODIAC AERO ELECTRIC
COMPONENT MAINTENANCE MANUAL
107CZ02L05Y06 107CZ02L05Y07 107CZ02L06Y12



Test Set Up

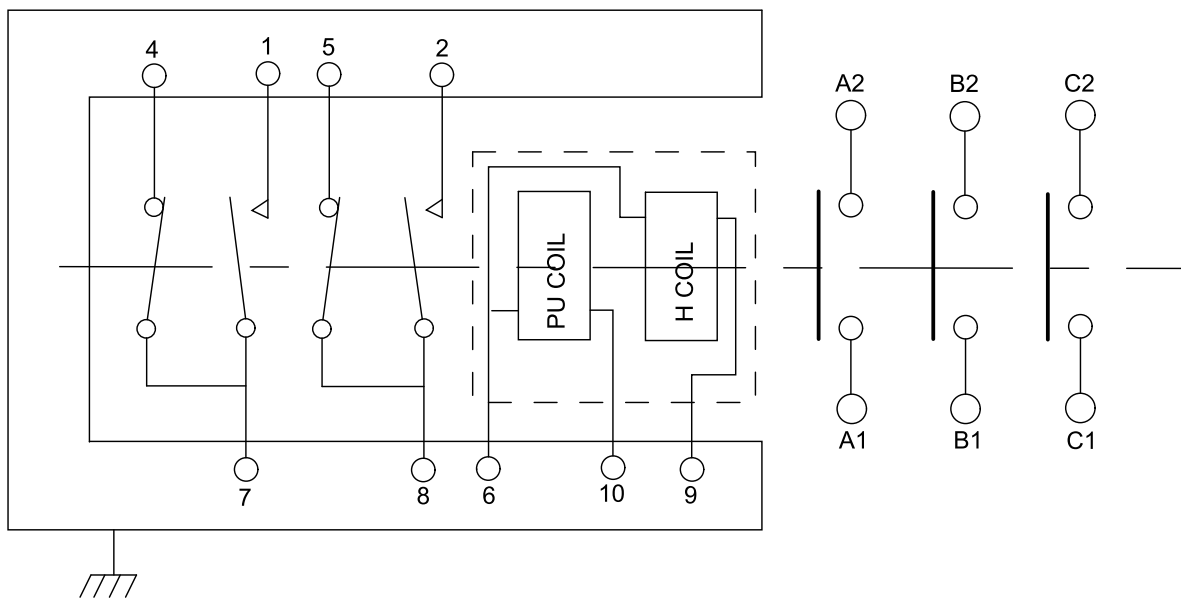
Figure 1001/GRAPHIC-24-71-81-991-101-A01

ZODIAC AERO ELECTRIC
COMPONENT MAINTENANCE MANUAL
107CZ02L05Y06 107CZ02L05Y07 107CZ02L06Y12

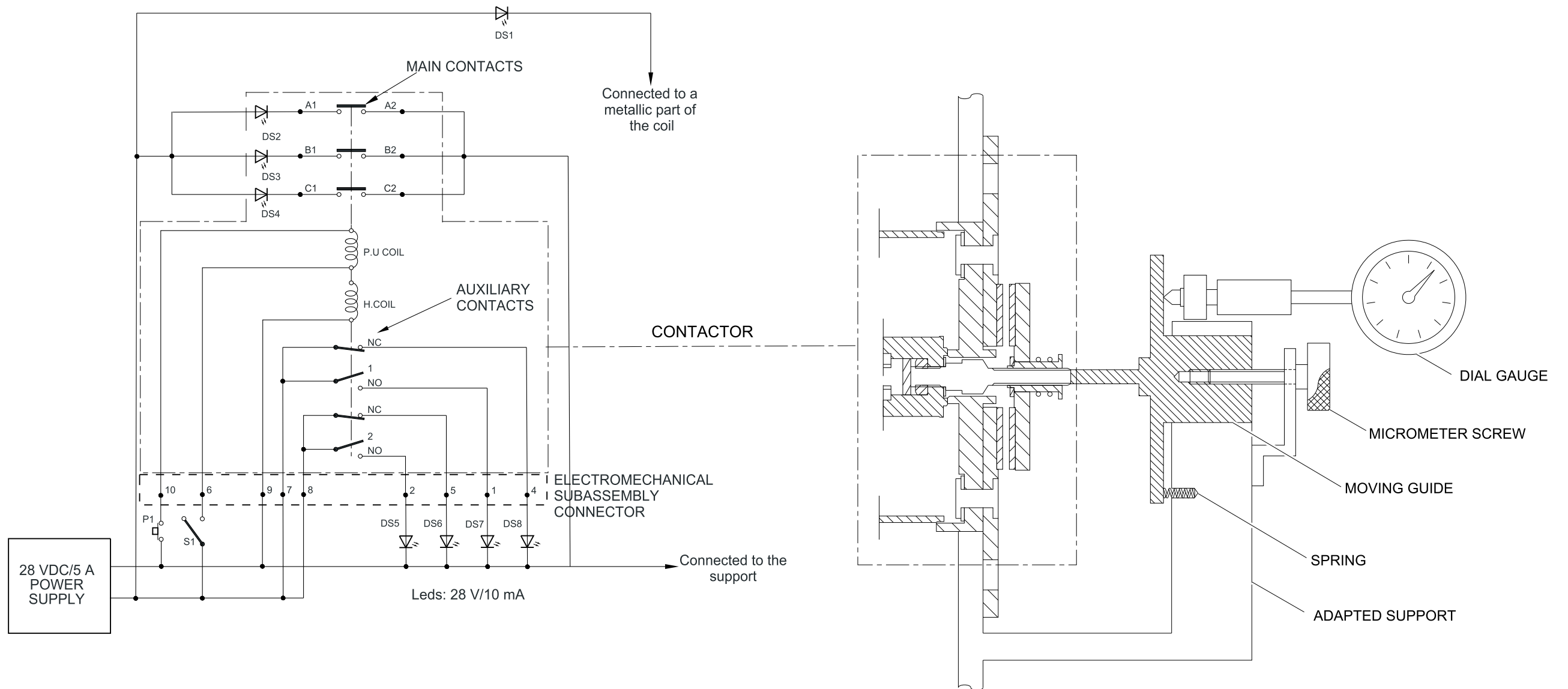


SYNOPTIC DIAGRAM
Figure 1002/GRAPHIC-24-71-81-991-102-A01

ZODIAC AERO ELECTRIC
COMPONENT MAINTENANCE MANUAL
107CZ02L05Y06 107CZ02L05Y07 107CZ02L06Y12



Electrical Schematic of the RCCB Contactor
Figure 2001/GRAPHIC-24-71-81-991-201-A01



24-71-81-991-601-A01-01

Adjustment of the auxiliary contact travel
 Set-up (Sheet 1 of 2)
 Figure 6001/GRAPHIC-24-71-81-991-601-A01